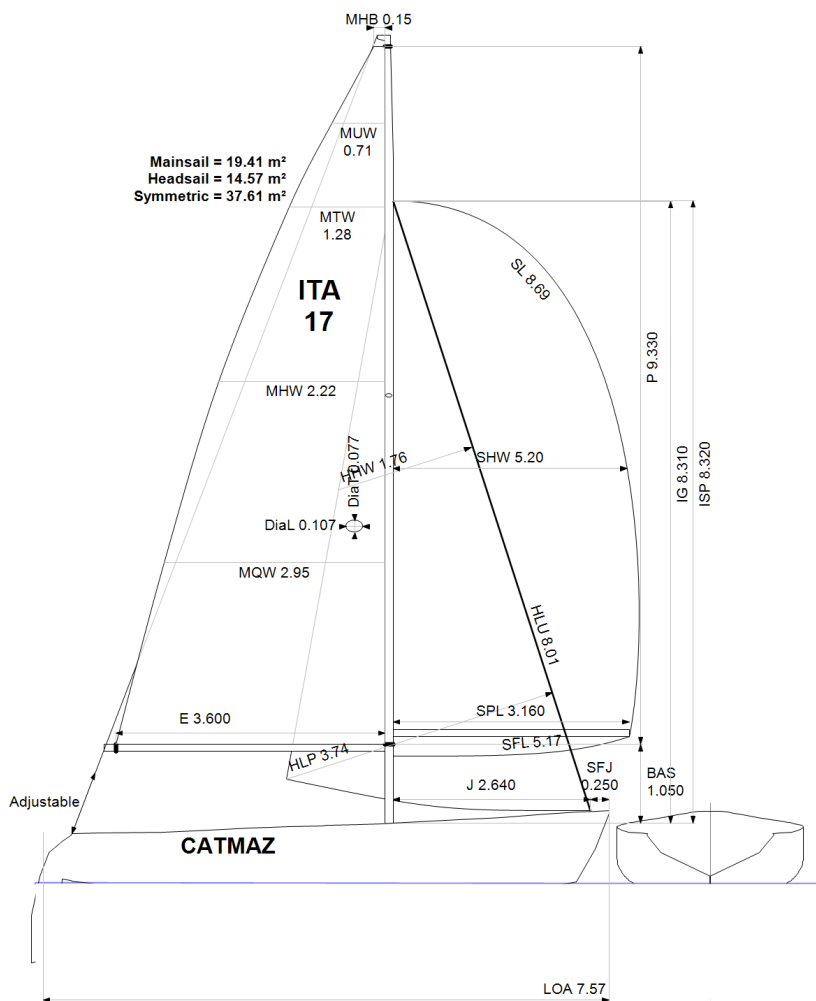


APH ToD: **640.6** CDL: **6.694**

APH ToT: **0.9366** CertNo: 25/1



BOAT

Class **D 772**
Designer **Fontana/Maletto/Navone**
Builder **Dalò**
Age date **01/1989**
Series date **01/1987**
Offset file **D772CRCL.OFF**
Data file **ITA17**

HULL

Length Overall **7.567 m**
Maximum Beam **2.500 m**
Draft **1.454 m**
Displacement **1,457 kg**
DLR **6.6319**
IMS Division **Sportboat**
Dynamic Allowance **0.020%**
Age Allowance **0.487%**

PROPELLER

Installation **No Propeller**
Type **N/A**
Diameter **N/A**

CREW

Maximum weight **350 kg** (declared)
Minimum weight **220 kg** * when applied
Non Manual Power **No**
Crew Arm Extension

SAIL AREAS (m²)

	Measured	Rated
Mainsail	19.41	19.81
Headsail Luffed	14.57	14.57
Headsail Flying		
Symmetric	37.61	37.61
Asymmetric		

STORM SAIL AREAS (m²)

Trysail **5.88**
Storm Jib **3.46**
Heavy Weather Jib **9.33**

SAIL LIMITS

Headsails **5** * Woven polyester sails
Spinnakers **4**

STABILITY

Righting Moment **N/A**
Stability Index **N/A**

COMMENTS

fuoribordo

The owner and any other person in charge is responsible that boat is complying with her certificate in accordance with RRS 78.1 and ORC Rule 304.

Rated boat velocities in knots

Wind Velocity	4 kt	6 kt	8 kt	10 kt	12 kt	14 kt	16 kt	20 kt	24 kt
Beat Angles	42.6°	42.6°	40.5°	37.9°	36.5°	36.5°	36.7°	37.5°	39.7°
Beat VMG	2.34	3.19	3.82	4.23	4.41	4.46	4.48	4.46	4.33
52°	3.64	4.81	5.54	5.87	6.04	6.11	6.14	6.18	6.15
60°	3.87	5.02	5.68	5.99	6.16	6.25	6.31	6.37	6.37
75°	4.00	5.15	5.78	6.09	6.31	6.48	6.59	6.74	6.81
90°	3.86	5.08	5.84	6.20	6.40	6.59	6.82	7.17	7.40
110°	3.85	5.09	5.87	6.28	6.62	6.96	7.29	7.80	8.33
120°	3.67	4.91	5.75	6.20	6.56	6.95	7.42	8.56	9.66
135°	3.21	4.40	5.32	5.95	6.32	6.69	7.12	8.61	11.21
150°	2.56	3.68	4.69	5.50	6.03	6.37	6.72	7.68	9.84
Run VMG	2.21	3.19	4.07	4.82	5.46	5.92	6.26	6.92	8.52
Gybe Angles	146.9°	146.9°	152.1°	157.9°	165.5°	176.3°	178.1°	176.6°	143.9°

Time Allowances in secs/NM									
Wind Velocity	4 kt	6 kt	8 kt	10 kt	12 kt	14 kt	16 kt	20 kt	24 kt
Beat VMG	1536.0	1129.4	943.5	851.3	816.6	806.6	802.9	806.8	831.9
52°	989.1	749.1	650.4	612.8	596.2	589.6	586.0	582.5	584.9
60°	930.9	716.6	633.4	601.1	584.0	575.6	571.0	565.1	565.0
75°	901.0	699.4	623.2	591.0	570.3	555.5	546.2	534.4	528.7
90°	932.9	708.3	616.6	581.0	562.6	546.1	528.2	502.3	486.7
110°	935.0	707.4	613.3	573.6	543.9	517.5	494.1	461.6	432.1
120°	981.2	732.5	625.9	581.1	549.0	518.2	485.2	420.3	372.5
135°	1121.3	817.6	676.7	605.0	569.4	538.2	505.4	418.2	321.2
150°	1407.1	977.1	767.0	654.1	597.2	564.9	535.6	468.5	365.9
Run VMG	1628.4	1128.3	884.1	747.4	658.8	608.3	575.5	520.4	422.5
Selected Courses									
Windward / Leeward	1579.8	1128.8	913.8	799.3	737.7	707.5	689.2	663.6	627.2
All purpose	1185.4	870.8	728.0	658.3	621.9	600.4	583.3	553.0	521.9

Single Number Scoring Options		
Course	Time On Distance	Time On Time
Windward / Leeward	772.6	0.7766
All purpose	640.6	0.9366

Data in meters/kilograms (Metric)

HULL AND APPENDAGES (Lightship Trim)

Class	D 772	LOA	7.567	VCGD	0.116
Measurement	01/01/1989	Max. Beam	2.500	VCGM	0.133
HIN		Draft	1.454	RM Rated (kg·m)	28.0
Plan review		Displacement	1,457	Limit of positive stability(°)	N/A
Hull construction	Cored	Wetted area	10.87	Stability Index	N/A
Carbon rudder	No	IMS L	6.701	Default crew weight	335
Light stanchions	No	LSM0	6.033	Declared crew weight	350
Trim tab	No	Acc. length	7.567		
		Sink (kg/mm)	8.87		

PROPELLER

Propeller Type	No Propeller
Hydro generator	No

RIG

Forestay tension	Aft	P	9.330	E	3.600
Inner stay	None Fitted	IG	8.310	J	2.640
Mast material	Aluminum	ISP	8.320	BAS	1.050
Single headsail furler	No	MDT1	0.077	FSD	0.030
Mainsail furler	No	MDL1	0.107	SFJ	0.250
Articulated bowsprit	No	MDT2	0.070	SPL	3.160
Non-circular rigging	No	MDL2	0.070	WPL	
Fiber rigging	No	TL	1.500	TPS	
Adjustable mast foot	Yes	MW	0.107	BD	0.095
Running backstays	0	GO	0.107	MWT	
Checkstays	0			MCG	
Spreaders	1				
Rotating mast	No				

FLOTATION AND STABILITY

Calculation method	VCG entered directly
VCG entered	0.100
Flotation Date	01/01/1989

MAINSAIL

<i>Id</i>	<i>MHB</i>	<i>MUW</i>	<i>MTW</i>	<i>MHW</i>	<i>MQW</i>	<i>Area</i>	<i>Meas.Date</i>	<i>Comment</i>
A	0.15	0.71	1.28	2.22	2.95	19.41	24/03/2025	

HEADSAIL

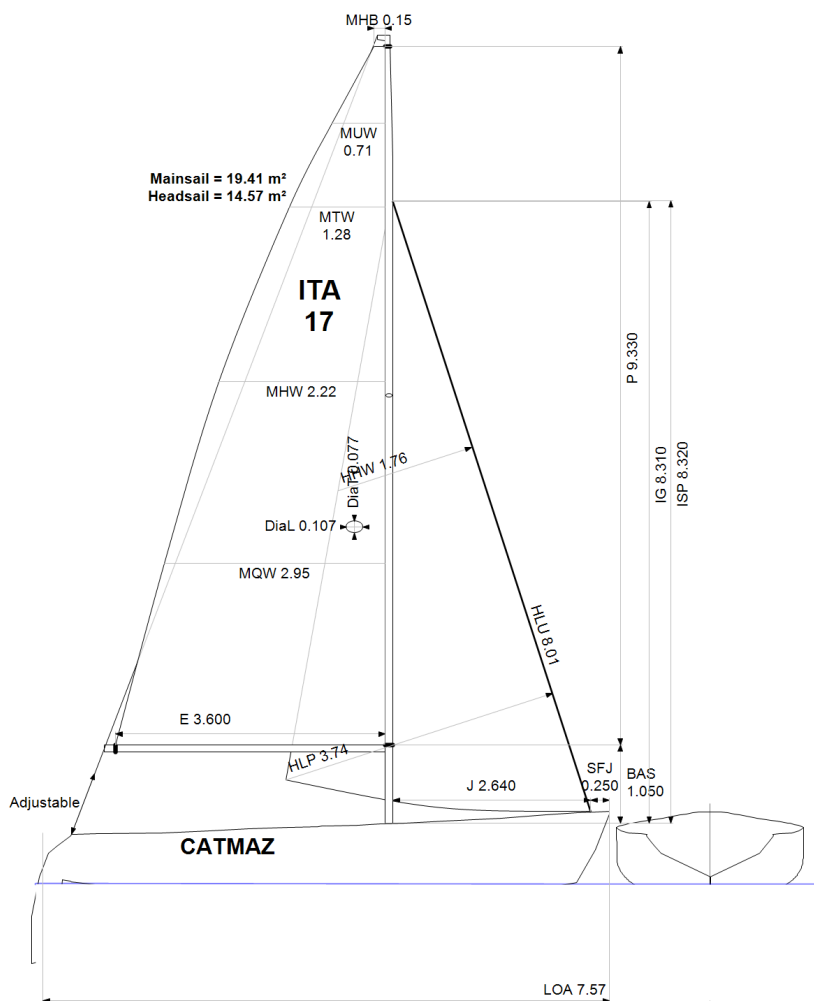
<i>Id</i>	<i>HHB</i>	<i>HUW</i>	<i>HTW</i>	<i>HHW</i>	<i>HQW</i>	<i>HLP</i>	<i>HLU</i>	<i>Btn</i>	<i>Flying FT</i>	<i>Area</i>	<i>Meas.Date</i>	<i>Comment</i>
A	0.06	0.45	0.87	1.76	2.73	3.74	8.01	No	No	14.57	24/03/2025	

SYMMETRIC SPINNAKER

<i>Id</i>	<i>SLU</i>	<i>SLE</i>	<i>SL</i>	<i>SHW</i>	<i>SFL</i>	<i>Area</i>	<i>Meas.Date</i>	<i>Comment</i>
A	8.69	8.69	8.69	5.20	5.17	37.61	24/03/2025	

APH ToD: **666.8** CDL: **6.479**

APH ToT: **0.8999** CertNo: **25/1**



BOAT

Class **D 772**
Designer **Fontana/Maletto/Navone**
Builder **Dalò**
Age date **01/1989**
Series date **01/1987**
Offset file **D772CRCL.OFF**
Data file **ITA17**

HULL

Length Overall **7.567 m**
Maximum Beam **2.500 m**
Draft **1.454 m**
Displacement **1,457 kg**
DLR **6.6319**
IMS Division **Sportboat**
Dynamic Allowance **0.100%**
Age Allowance **0.487%**

PROPELLER

Installation **No Propeller**
Type **N/A**
Diameter **N/A**

CREW

Maximum weight **250 kg** (declared)
Minimum weight **130 kg** * when applied
Non Manual Power **No**
Crew Arm Extension

SAIL AREAS (m²)

	Measured	Rated
Mainsail	19.41	19.81
Headsail Luffed	14.57	14.57
Headsail Flying		
Symmetric		
Asymmetric		

STORM SAIL AREAS (m²)

Trysail **5.88**
Storm Jib **3.46**
Heavy Weather Jib **9.33**

SAIL LIMITS

Headsails **5** * Zero set flying
* Woven polyester sails
Spinnakers **0** * No spinnaker pole aboard

STABILITY

Righting Moment **N/A**
Stability Index **N/A**

COMMENTS

fuoribordo

The owner and any other person in charge is responsible that boat is complying with her certificate in accordance with RRS 78.1 and ORC Rule 304.

Rated boat velocities in knots

Wind Velocity	4 kt	6 kt	8 kt	10 kt	12 kt	14 kt	16 kt	20 kt	24 kt
Beat Angles	42.7°	42.7°	39.9°	37.7°	37.1°	37.1°	37.8°	39.0°	41.0°
Beat VMG	2.37	3.22	3.85	4.19	4.30	4.33	4.34	4.29	4.09
52°	3.71	4.85	5.53	5.84	5.96	6.01	6.04	6.06	6.00
60°	3.93	5.06	5.67	5.96	6.10	6.17	6.21	6.25	6.23
75°	4.07	5.19	5.78	6.07	6.27	6.41	6.49	6.62	6.65
90°	3.95	5.11	5.76	6.09	6.34	6.57	6.76	7.04	7.20
110°	3.42	4.64	5.51	5.99	6.31	6.62	6.95	7.75	8.40
120°	3.18	4.39	5.31	5.86	6.20	6.51	6.85	7.79	9.45
135°	2.70	3.84	4.82	5.53	5.96	6.27	6.58	7.34	8.78
150°	2.26	3.26	4.17	4.95	5.53	5.92	6.20	6.80	7.63
Run VMG	1.96	2.82	3.63	4.43	5.11	5.64	6.00	6.58	7.30
Gybe Angles	145.3°	145.3°	169.4°	171.2°	173.0°	175.6°	177.2°	177.1°	175.0°

Time Allowances in secs/NM									
Wind Velocity	4 kt	6 kt	8 kt	10 kt	12 kt	14 kt	16 kt	20 kt	24 kt
Beat VMG	1519.4	1116.9	936.2	858.5	836.8	830.6	829.6	839.3	880.6
52°	971.5	742.4	650.8	616.7	603.9	598.7	595.8	593.9	600.2
60°	915.5	711.1	634.4	604.0	589.8	583.6	579.6	575.6	578.3
75°	884.9	693.0	623.3	592.6	573.9	561.5	554.4	544.2	541.3
90°	910.7	704.6	625.3	590.7	567.4	548.3	532.6	511.6	500.1
110°	1052.2	775.6	653.4	601.4	570.7	544.2	518.0	464.7	428.4
120°	1133.6	820.8	677.9	614.6	580.5	552.8	525.7	462.2	381.1
135°	1332.9	937.1	747.2	651.4	604.0	573.8	547.4	490.6	409.8
150°	1593.6	1104.1	863.3	727.5	650.7	608.4	580.6	529.7	471.6
Run VMG	1839.4	1274.9	990.9	813.0	703.9	638.4	599.7	546.7	493.3
Selected Courses									
Windward / Leeward	1677.6	1195.9	963.5	835.8	770.4	734.5	714.6	693.0	687.0
All purpose	1254.4	916.4	761.1	684.4	645.6	622.7	606.7	581.1	562.9

Single Number Scoring Options		
Course	Time On Distance	Time On Time
Windward / Leeward	807.4	0.7431
All purpose	666.8	0.8999

Data in meters/kilograms (Metric)

HULL AND APPENDAGES (Lightship Trim)

Class	D 772	LOA	7.567	VCGD	0.116
Measurement	01/01/1989	Max. Beam	2.500	VCGM	0.133
HIN		Draft	1.454	RM Rated (kg·m)	28.0
Plan review		Displacement	1,457	Limit of positive stability(°)	N/A
Hull construction	Cored	Wetted area	10.87	Stability Index	N/A
Carbon rudder	No	IMS L	6.589	Default crew weight	335
Light stanchions	No	LSM0	6.033	Declared crew weight	250
Trim tab	No	Acc. length	7.567		
		Sink (kg/mm)	8.87		

PROPELLER

Propeller Type	No Propeller
Hydro generator	No

RIG

Forestay tension	Aft	P	9.330	E	3.600
Inner stay	None Fitted	IG	8.310	J	2.640
Mast material	Aluminum	ISP	8.320	BAS	1.050
Single headsail furler	No	MDT1	0.077	FSD	0.030
Mainsail furler	No	MDL1	0.107	SFJ	0.250
Articulated bowsprit	No	MDT2	0.070	SPL	
Non-circular rigging	No	MDL2	0.070	WPL	
Fiber rigging	No	TL	1.500	TPS	
Adjustable mast foot	Yes	MW	0.107	BD	0.095
Running backstays	0	GO	0.107	MWT	
Checkstays	0			MCG	
Spreaders	1				
Rotating mast	No				

FLOTATION AND STABILITY

Calculation method	VCG entered directly
VCG entered	0.100
Flotation Date	01/01/1989



Non Spin/HSF
Club Certificate
2025

CATMAZ
ITA-17

FEDERAZIONE ITALIANA VELA
Distr.:UVAI www.uvai.it
Tel. + 39068841273
E-mail segreteria@uvai.it



MAINSAIL

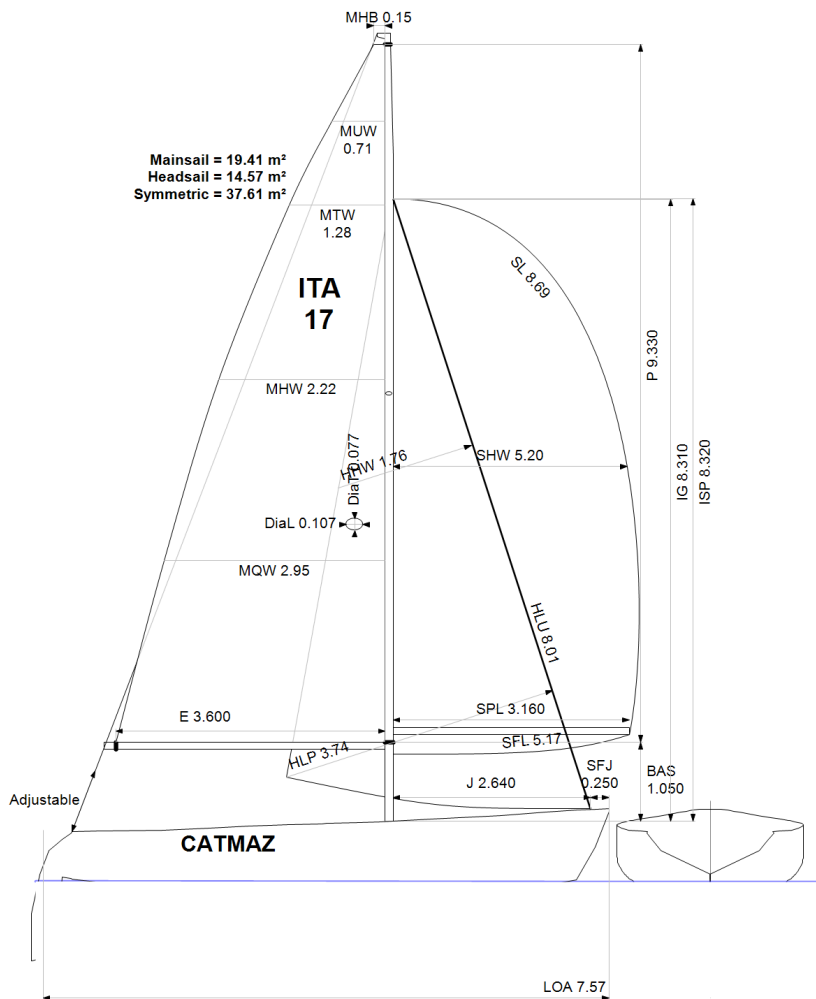
<i>Id</i>	<i>MHB</i>	<i>MUW</i>	<i>MTW</i>	<i>MHW</i>	<i>MQW</i>	<i>Area</i>	<i>Meas.Date</i>	<i>Comment</i>
A	0.15	0.71	1.28	2.22	2.95	19.41	24/03/2025	

HEADSAIL

<i>Id</i>	<i>HHB</i>	<i>HUW</i>	<i>HTW</i>	<i>HHW</i>	<i>HQW</i>	<i>HLP</i>	<i>HLU</i>	<i>Btn</i>	<i>Flying FT</i>	<i>Area</i>	<i>Meas.Date</i>	<i>Comment</i>
A	0.06	0.45	0.87	1.76	2.73	3.74	8.01	No	No	14.57	24/03/2025	

APH ToD: **648.3** CDL: **6.312**

APH ToT: **0.9255** CertNo: 25/1



BOAT

Class **D 772**
Designer **Fontana/Maletto/Navone**
Builder **Dalò**
Age date **01/1989**
Series date **01/1987**
Offset file **D772CRCL.OFF**
Data file **ITA17**

HULL

Length Overall **7.567 m**
Maximum Beam **2.500 m**
Draft **1.454 m**
Displacement **1,457 kg**
DLR **6.6319**
IMS Division **Sportboat**
Dynamic Allowance **0.010%**
Age Allowance **0.487%**

PROPELLER

Installation **No Propeller**
Type **N/A**
Diameter **N/A**

CREW

Maximum weight **180 kg** (declared)
Minimum weight **120 kg** * when applied
Non Manual Power **No**
Crew Arm Extension

SAIL AREAS (m²)

	Measured	Rated
Mainsail	19.41	19.81
Headsail Luffed	14.57	14.57
Headsail Flying		
Symmetric	37.61	37.61
Asymmetric		

STORM SAIL AREAS (m²)

Trysail **5.88**
Storm Jib **3.46**
Heavy Weather Jib **9.33**

SAIL LIMITS

Headsails **5** * Woven polyester sails
Spinnakers **4**

STABILITY

Righting Moment **N/A**
Stability Index **N/A**

COMMENTS

fuoribordo

The owner and any other person in charge is responsible that boat is complying with her certificate in accordance with RRS 78.1 and ORC Rule 304.

Rated boat velocities in knots

Wind Velocity	4 kt	6 kt	8 kt	10 kt	12 kt	14 kt	16 kt	20 kt	24 kt
Beat Angles	42.3°	42.3°	39.7°	38.1°	37.8°	38.1°	38.3°	39.6°	44.4°
Beat VMG	2.39	3.25	3.85	4.13	4.21	4.23	4.22	4.15	3.90
52°	3.73	4.86	5.53	5.80	5.90	5.94	5.97	5.97	5.88
60°	3.95	5.07	5.67	5.94	6.05	6.10	6.14	6.17	6.13
75°	4.09	5.21	5.77	6.07	6.25	6.36	6.43	6.53	6.54
90°	3.96	5.14	5.80	6.11	6.34	6.55	6.71	6.93	7.05
110°	3.93	5.15	5.88	6.26	6.57	6.84	7.04	7.43	7.79
120°	3.75	4.98	5.79	6.22	6.57	6.95	7.36	8.05	8.81
135°	3.27	4.47	5.39	6.00	6.38	6.77	7.24	8.84	10.91
150°	2.59	3.73	4.75	5.55	6.07	6.44	6.83	7.93	10.40
Run VMG	2.24	3.23	4.12	4.87	5.50	5.96	6.31	7.03	9.01
Gybe Angles	146.5°	146.5°	151.9°	158.2°	165.5°	175.9°	178.1°	170.4°	146.8°

Time Allowances in secs/NM									
Wind Velocity	4 kt	6 kt	8 kt	10 kt	12 kt	14 kt	16 kt	20 kt	24 kt
Beat VMG	1505.0	1109.1	935.4	871.0	855.0	851.8	852.2	867.8	923.6
52°	966.4	740.4	651.3	620.2	610.3	606.0	603.3	603.0	612.2
60°	912.3	710.0	635.0	606.3	594.8	589.7	586.0	583.3	587.1
75°	881.1	691.4	623.4	593.6	576.1	566.4	560.0	551.6	550.6
90°	908.9	700.9	620.7	589.3	568.0	550.0	536.5	519.6	510.4
110°	916.6	699.6	612.0	574.9	547.6	526.3	511.3	484.6	462.3
120°	960.8	722.5	621.8	578.8	547.6	518.1	489.4	447.3	408.8
135°	1100.5	804.5	668.4	600.4	563.9	531.5	497.1	407.3	329.9
150°	1389.1	964.1	757.4	648.7	592.8	558.8	527.3	453.8	346.2
Run VMG	1605.3	1113.2	873.3	739.8	654.5	604.5	570.5	511.9	399.8
Selected Courses									
Windward / Leeward	1553.0	1111.2	904.3	805.4	754.7	728.1	711.3	689.9	661.7
All purpose	1162.1	858.5	723.6	662.7	631.8	612.7	597.7	572.2	550.8

Single Number Scoring Options		
Course	Time On Distance	Time On Time
Windward / Leeward	784.7	0.7646
All purpose	648.3	0.9255

Data in meters/kilograms (Metric)

HULL AND APPENDAGES (Lightship Trim)

Class	D 772	LOA	7.567	VCGD	0.116
Measurement	01/01/1989	Max. Beam	2.500	VCGM	0.133
HIN		Draft	1.454	RM Rated (kg·m)	28.0
Plan review		Displacement	1,457	Limit of positive stability(°)	N/A
Hull construction	Cored	Wetted area	10.87	Stability Index	N/A
Carbon rudder	No	IMS L	6.523	Default crew weight	170
Light stanchions	No	LSM0	6.033	Declared crew weight	180
Trim tab	No	Acc. length	7.567		
		Sink (kg/mm)	8.87		

PROPELLER

Propeller Type	No Propeller
Hydro generator	No

RIG

Forestay tension	Aft	P	9.330	E	3.600
Inner stay	None Fitted	IG	8.310	J	2.640
Mast material	Aluminum	ISP	8.320	BAS	1.050
Single headsail furler	No	MDT1	0.077	FSD	0.030
Mainsail furler	No	MDL1	0.107	SFJ	0.250
Articulated bowsprit	No	MDT2	0.070	SPL	3.160
Non-circular rigging	No	MDL2	0.070	WPL	
Fiber rigging	No	TL	1.500	TPS	
Adjustable mast foot	Yes	MW	0.107	BD	0.095
Running backstays	0	GO	0.107	MWT	
Checkstays	0			MCG	
Spreaders	1				
Rotating mast	No				

FLOTATION AND STABILITY

Calculation method	VCG entered directly
VCG entered	0.100
Flotation Date	01/01/1989



MAINSAIL

<i>Id</i>	<i>MHB</i>	<i>MUW</i>	<i>MTW</i>	<i>MHW</i>	<i>MQW</i>	<i>Area</i>	<i>Meas.Date</i>	<i>Comment</i>
A	0.15	0.71	1.28	2.22	2.95	19.41	24/03/2025	

HEADSAIL

<i>Id</i>	<i>HHB</i>	<i>HUW</i>	<i>HTW</i>	<i>HHW</i>	<i>HQW</i>	<i>HLP</i>	<i>HLU</i>	<i>Btn</i>	<i>Flying FT</i>	<i>Area</i>	<i>Meas.Date</i>	<i>Comment</i>
A	0.06	0.45	0.87	1.76	2.73	3.74	8.01	No	No	14.57	24/03/2025	

SYMMETRIC SPINNAKER

<i>Id</i>	<i>SLU</i>	<i>SLE</i>	<i>SL</i>	<i>SHW</i>	<i>SFL</i>	<i>Area</i>	<i>Meas.Date</i>	<i>Comment</i>
A	8.69	8.69	8.69	5.20	5.17	37.61	24/03/2025	